

# 95G1E

## PRODUCT SPECIFICATIONS

SINGLE STAGE  
CONSTANT TORQUE MOTOR

FORM NO. 95G1E-100 (08/2015)



### CONFIGURATIONS

- Upflow / Horizontal
- Downflow

### HEAT EXCHANGER DESIGN

- Aluminized steel primary heat exchanger with crimped non-welded construction
- AL 29-4C Stainless steel secondary heat exchanger

### BURNER

- Aluminized steel inshot burners for smooth ignition

### CABINET DESIGN

- Compact 33" height
- Standardized widths for easy coil fit

### AIR DELIVERY SYSTEM

- Multi-speed high efficiency (constant torque) blower motor
- Easily removable slide out blower design
- Enhanced cooling SEER ratings when applied with properly matched cooling equipment.

### CONTROLS

- Single stage gas valve
- Durable silicon nitride ignitor
- Self diagnostics saves last 10 fault codes regardless of power interruption
- Control features electronic air cleaner and humidifier terminals

### VENTING

- Designed certified for direct (2-pipe) and non direct (1-pipe) applications
- Easily vented with PVC pipe

### INSTALLATION FEATURES

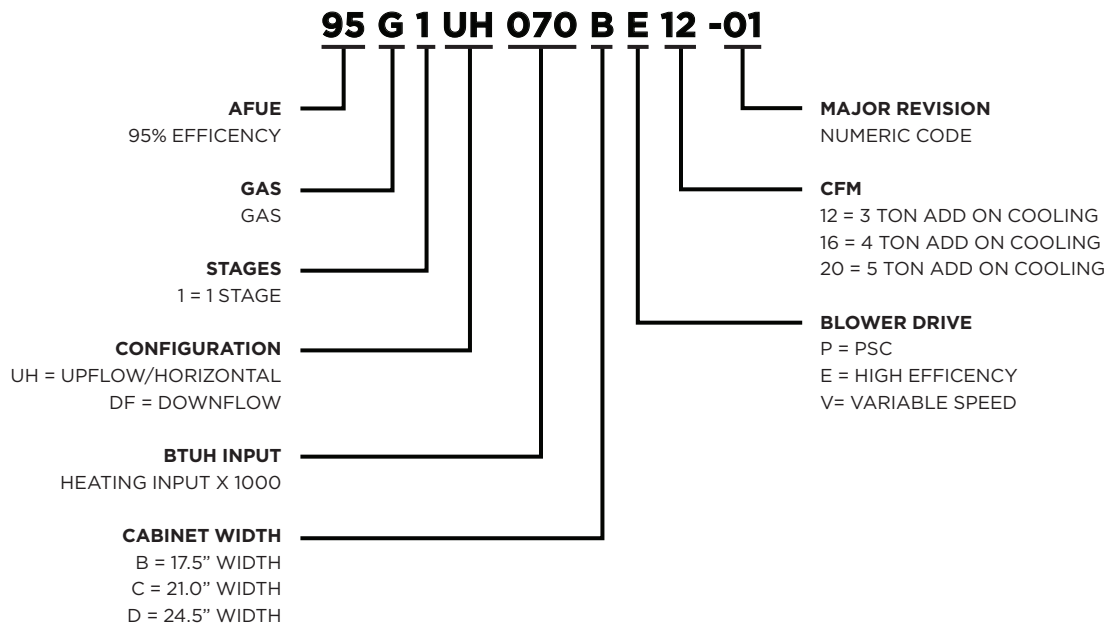
- Left or right utility connection
- Design certified for direct and non-direct vent applications
- Zero step horizontal conversion
- Removable floor base (upflow / horizontal units) for bottom return air
- Complies with California's South Coast Air Quality Management district Low NOx requirements

### WARRANTY

10 year limited parts warranty / lifetime heat exchanger warranty available. See limited warranty document for details.



**MODEL NUMBER GUIDE**



**PHYSICAL AND ELECTRICAL DATA**

	Model	Input (Btuh)	Output (Btuh)	AFUE (ICS)	Nom. Cooling Capacity	Gas Inlet (in.)	Volts/ Hz/ Phase	Max. Time Delay Breaker or Fuse	Nominal F.L.A.	Trans. (V.A.)	Approx. Shipping Weight (lbs.)
UPFLOW/HORIZONTAL	95G1UH045BE12	44,000	42,000	95.0%	1-1/2 – 3	1/2	120 - 60 - 1	15	6.8	40	129
	95G1UH070BE12	66,000	64,000	95.0%	1-1/2 – 3	1/2	120 - 60 - 1	15	6.8	40	134
	95G1UH090CE16	88,000	85,000	95.0%	2-1/2 – 4	1/2	120 - 60 - 1	15	8.4	40	158
	95G1UH110CE20	110,000	106,000	95.0%	3 – 5	1/2	120 - 60 - 1	15	10.9	40	170
	95G1UH135DE20	132,000	128,000	95.0%	3-1/2 – 5	1/2	120 - 60 - 1	15	10.9	40	187
DOWNFLOW	95G1DF045BE12	44,000	42,000	95.0%	1-1/2 – 3	1/2	120 - 60 - 1	15	6.8	40	131
	95G1DF070BE16	66,000	64,000	95.0%	2-1/2 – 4	1/2	120 - 60 - 1	15	8.4	40	144
	95G1DF090CE16	88,000	85,000	95.0%	2-1/2 – 4	1/2	120 - 60 - 1	15	8.4	40	160
	95G1DF110CE20	110,000	106,000	95.0%	3 – 5	1/2	120 - 60 - 1	15	10.9	40	174

*Note: For vent length and clearances to combustibles, please reference installation instructions.*

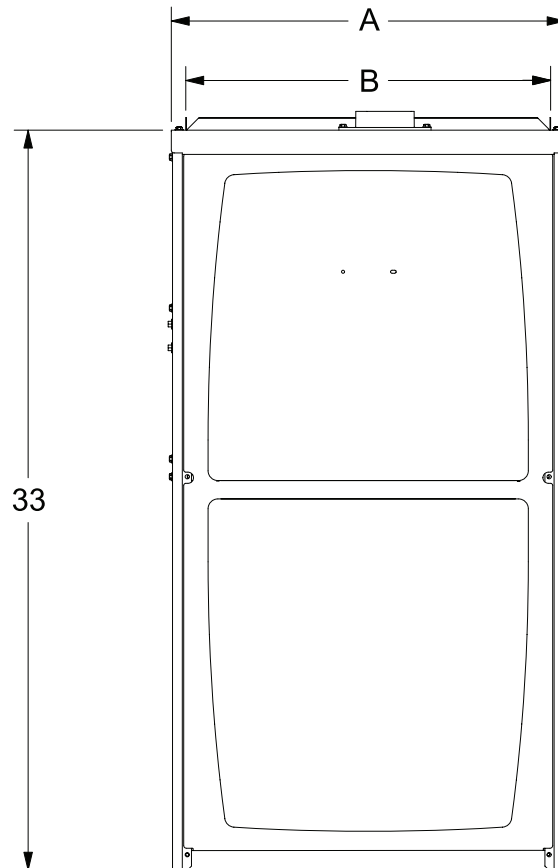
**BLOWER PERFORMANCE DATA**

	Model	Motor Size (hp)	Blower Size	Temp Rise (F°)	Blower Speed	CFM @ external static pressure - " w.c.						
						.20	.30	.40	.50	.60	.70	.80
Upflow / Horizontal	95G1UH045BE12	1/2	10 x 8	35 - 65	High	1290	1275	1220	1215	1190	N/A	N/A
					Med/High	1190	1150	1120	1090	1060	1015	1000
					Med	1080	1045	1015	980	950	900	870
					Med/Low	825	785	735	705	650	620	580
					Low	780	720	690	635	600	555	520
	95G1UH070BE12	1/2	10 x 8	35 - 65	High	1310	1275	1250	1215	1200	1145	N/A
					Med/High	1250	1205	1175	1145	1100	1070	1035
					Med	1130	1100	1065	1045	995	960	925
					Med/Low	880	835	795	745	705	670	610
					Low	815	775	730	670	640	585	550
	95G1UH090CE16	3/4	10 x 10	40 - 70	High	1660	1615	1590	1560	1525	1475	N/A
					Med/High	1435	1390	1350	1310	1255	1220	1170
					Med	1290	1240	1200	1155	1105	1065	1010
					Med/Low	1195	1140	1110	1055	1005	960	920
					Low	1045	995	945	895	855	805	760
	95G1UH110CE20	1	11-1/2 x 10	45 - 75	High	2130	2095	2065	2030	1995	1955	1930
					Med/High	1865	1835	1785	1755	1705	1660	1635
					Med	1670	1640	1600	1560	1525	1475	1445
					Med/Low	1560	1525	1465	1425	1380	1350	1300
					Low	1345	1285	1250	1215	1150	1100	1050
95G1UH135DE20	1	11-1/2 x 10	50 - 80	High	2330	2295	2275	2225	2185	N/A	N/A	
				Med/High	2180	2120	2075	2035	2020	1940	1890	
				Med	1950	1925	1885	1845	1815	1736	1715	
				Med/Low	1745	1690	1640	1605	1565	1520	1465	
				Low	1535	1480	1445	1395	1330	1310	1285	
Downflow	95G1DF045BE12	1/2	10 x 8	25-55	High	1320	1285	1275	1230	1185	N/A	N/A
					Med/High	1215	1165	1150	1095	1060	1020	980
					Med	1090	1065	1025	985	935	915	860
					Med/Low	825	795	750	705	655	590	555
					Low	785	735	705	650	605	545	485
	95G1DF070BE16	3/4	11-1/2 x 10	25-55	High	1705	1665	1605	1585	1540	N/A	N/A
					Med/High	1470	1430	1390	1335	1300	1260	1220
					Med	1265	1235	1185	1155	1100	1050	1015
					Med/Low	1165	1120	1070	1015	970	915	865
					Low	895	835	775	690	625	570	520
	95G1DF090CE16	3/4	10 x 10	40-70	High	1685	1630	1620	1570	1540	N/A	N/A
					Med/High	1455	1415	1370	1335	1295	1260	1210
					Med	1310	1285	1245	1185	1145	1110	1060
					Med/Low	1220	1165	1125	1080	1045	990	940
					Low	1080	1035	985	925	875	825	760
	95G1DF110CE20	1	11 x 11	40-70	High	2185	2150	2085	2060	2005	1970	1910
					Med/High	1910	1850	1810	1765	1700	1665	1620
					Med	1720	1670	1605	1565	1510	1460	1420
					Med/Low	1575	1525	1465	1420	1370	1325	1275
					Low	1360	1290	1255	1190	1160	1100	1045

**DIMENSIONS (IN.)**

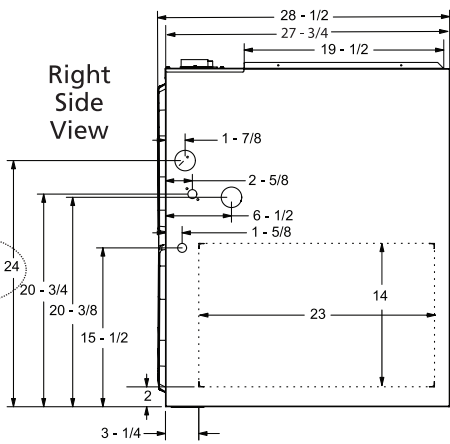
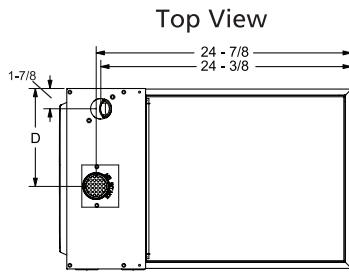
	Model	A	B	C	D
Upflow / Horizontal	95G1UH045BE12S	17-1/2	16-3/8	16	7-5/8
	95G1UH070BE12S	17-1/2	16-3/8	16	7-5/8
	95G1UH090CE16S	21	19-7/8	19-1/2	9-3/8
	95G1UH110CE20S	21	19-7/8	19-1/2	9-3/8
	95G1UH135DE20S	24-1/2	23-3/8	23	11-1/8
Downflow	95G1DF045BE12S	17-1/2	16-3/8	16	15-1/2
	95G1DF070BE16S	17-1/2	16-3/8	16	15-1/2
	95G1DF090CE16S	21	19-7/8	19-1/2	19
	95G1DF110CE20S	21	19-7/8	19-1/2	19

Front View

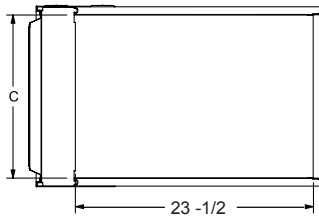


**DIMENSIONS (IN.)**

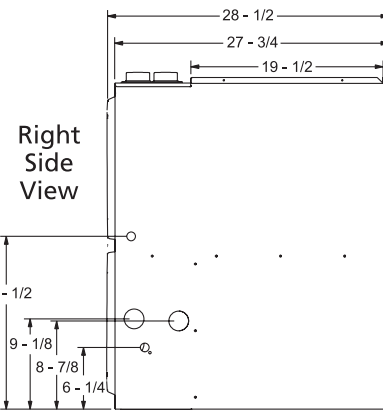
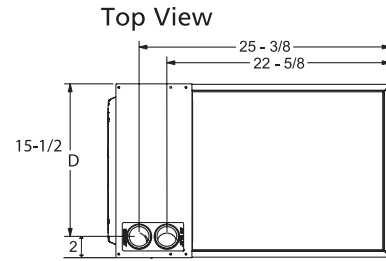
Upflow / Horizontal



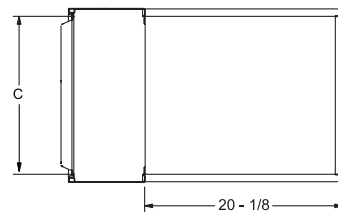
Bottom View



Downflow



Bottom View



**ACCESSORY LIST**

CATALOG NUMBER	DESCRIPTION
EXTERNAL FILTER RACK KITS	
1.841018	1 pack (16 x 25)
1.841039	10 pack (16 x 25)
NATURAL TO LP KITS	
68W75	1-Stage - 90
RETURN AIR BASE	
68W62	17.5" B Width
68W63	21.0" C Width
68W64	24.5" D Width
DOWNFLOW COMBUSTIBLE FLOORING BASE	
11M60	17.5" B Width
11M61	21.0" C Width
NIGHT SERVICE KITS	
86W57	Single Stage
HORIZONTAL SUSPENSION KIT	
51W10	80% & 90% Kit
FLUSH MOUNT TERMINATION (90% FURNACES ONLY) US ONLY	
51W11	2" & 3" Vent Version
CONCENTRIC VENT KIT (90% FURNACES ONLY) US ONLY	
71M80	1-1/2" Vent Version
69M29	2" Vent Version
60L46	3" Vent Version
CONCENTRIC VENT KIT (90% FURNACES ONLY) CANADA	
44W92	1-1/2" and 2" Vent Version
44W93	3" Vent Version
2-STAGE COMPRESSOR RELAY KIT	
85W66	Blower Relay Kit

*For vent length and clearances to combustibles, please reference installation instructions.*



1-800-448-5872

All specifications and illustrations subject to change without notice and without incurring obligations.